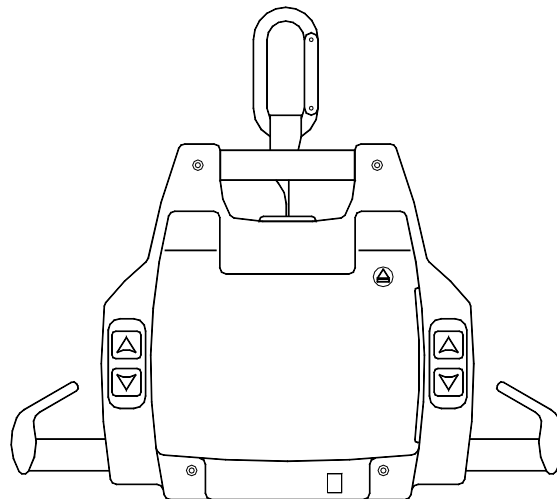




PARTS LIST
JUNE 2004

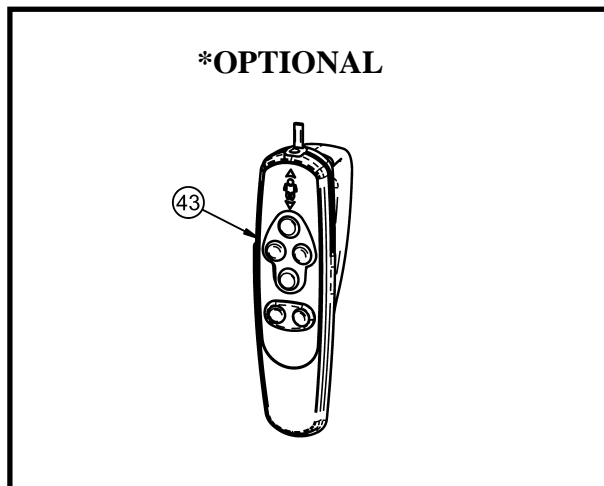
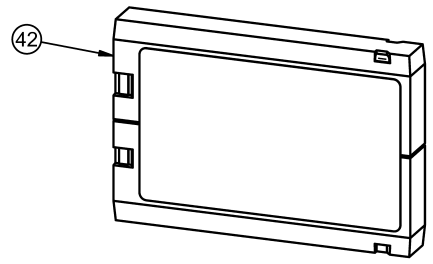
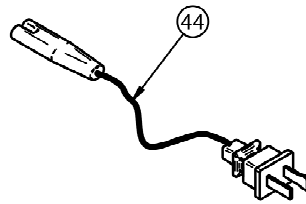
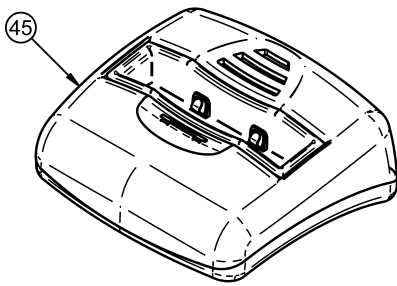
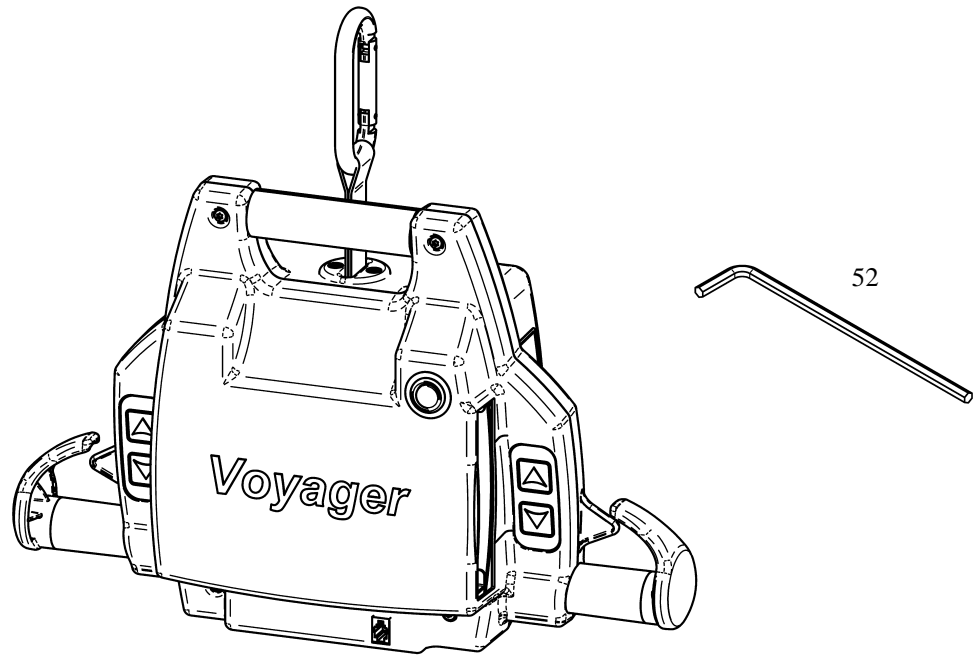
PORTABLE VOYAGER®

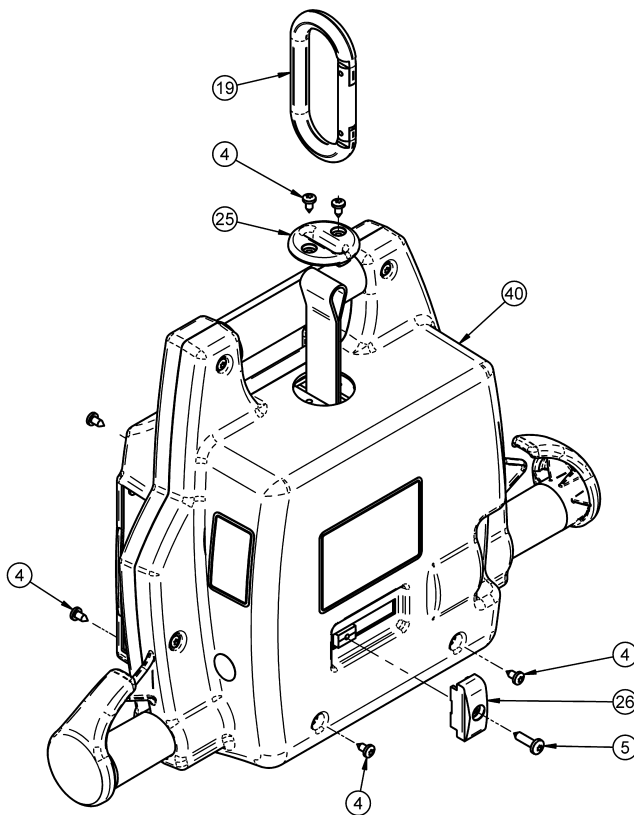
CEILING LIFT SYSTEM



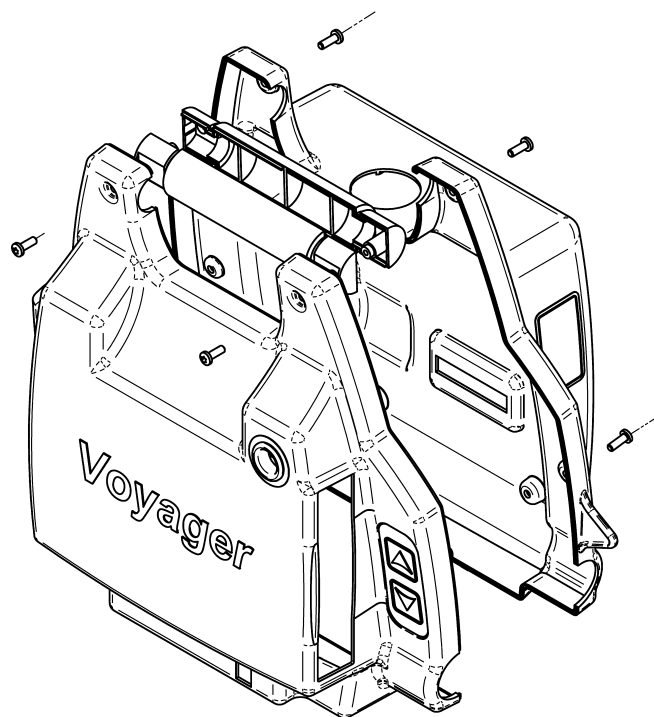
DO NOT DESTROY

BHM MEDICAL INC., 2001 TANGUAY STREET, MAGOG, QUEBEC, CANADA, J1X 5Y5
Web site: <http://www.bhm-medical.com>

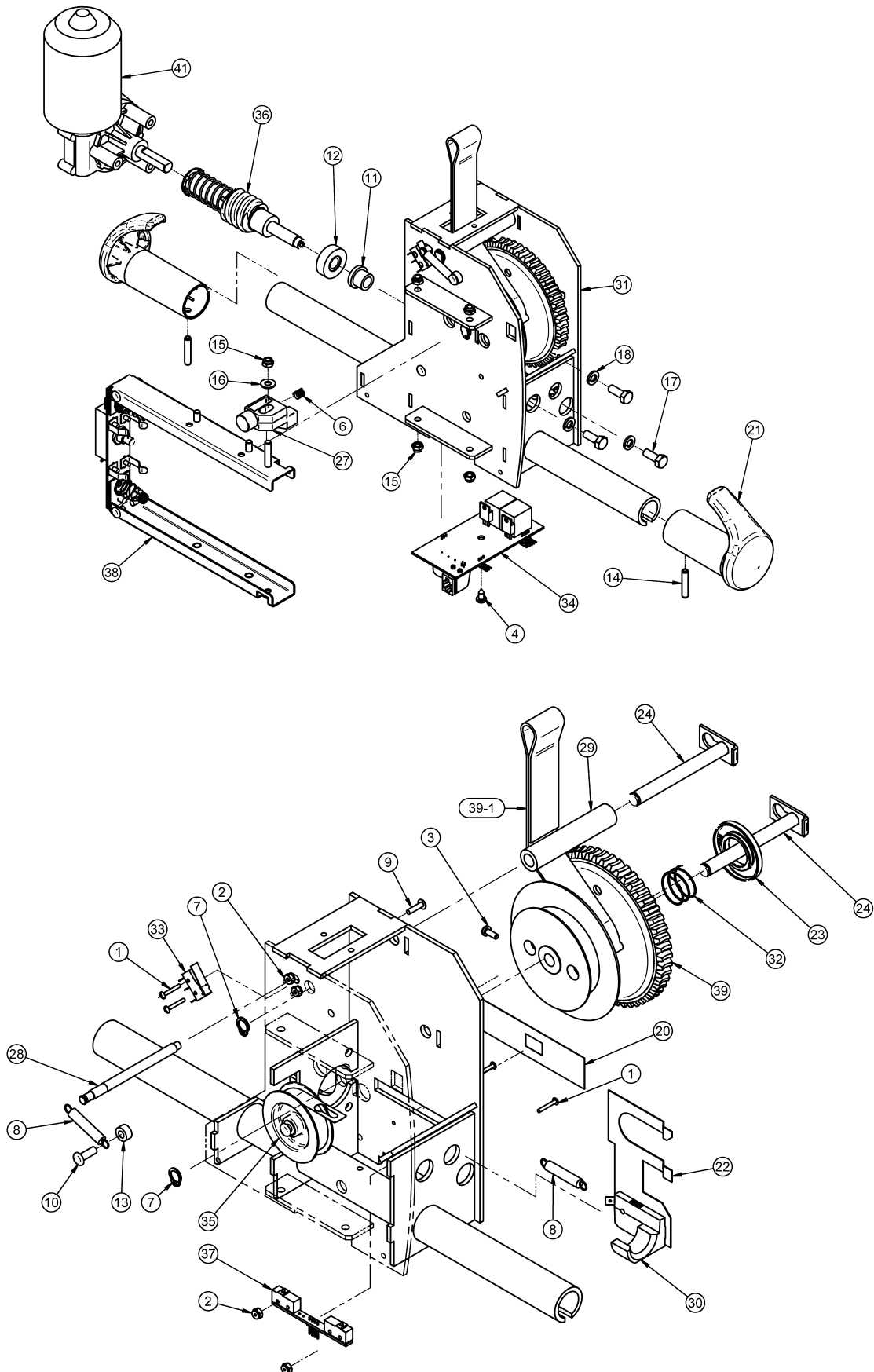




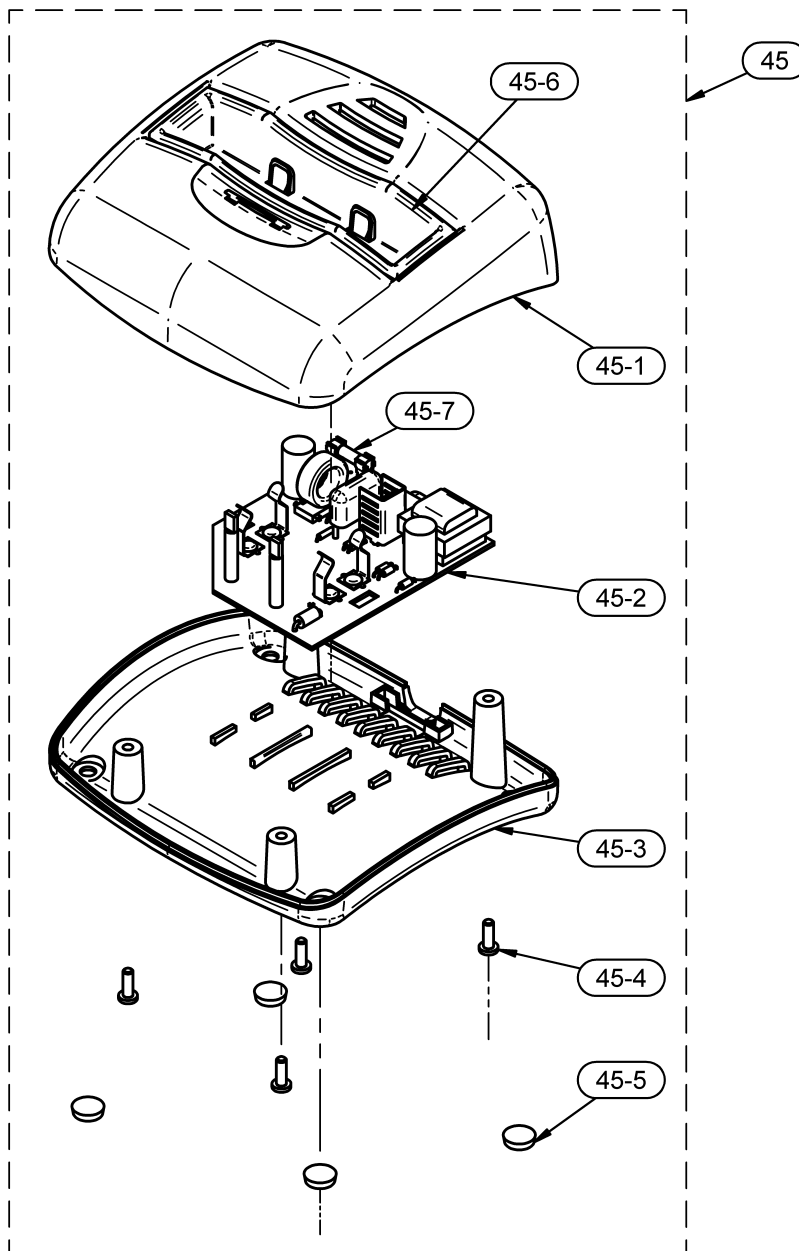
ITEM 40 - PLASTIC CAB KIT



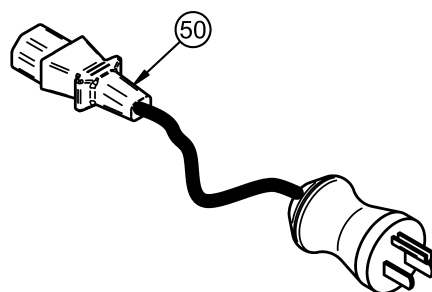
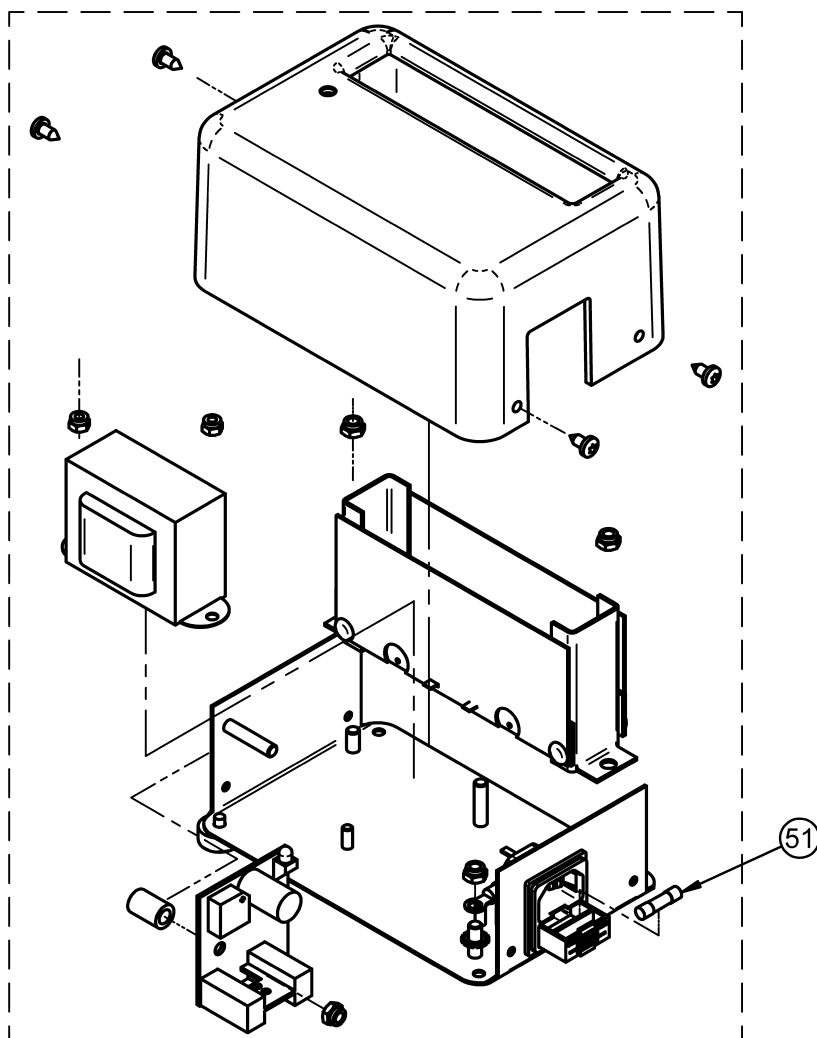
INCLUDE PLASTIC CABS, STICKERS, SCREWS, HANDLE, AND MEMBRANE.



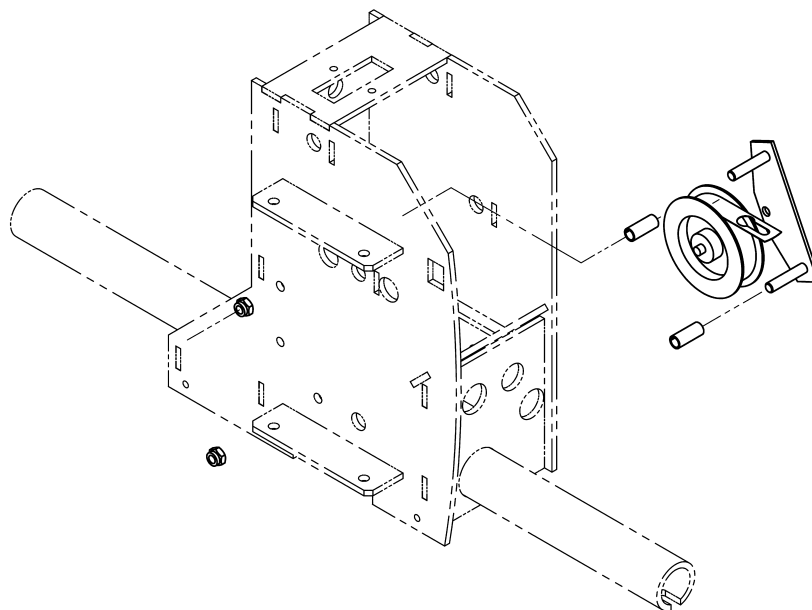
**ITEM 45:
UNIVERSAL CHARGER #700.13500
FROM SERIAL NUMBER #VOCH-2999**



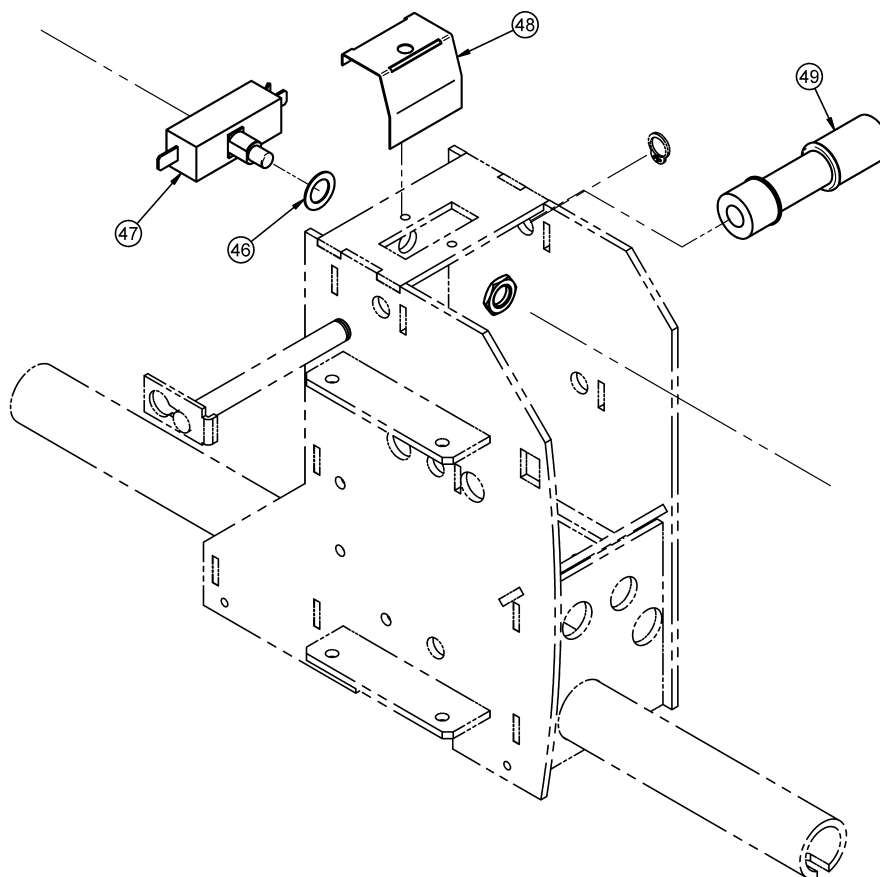
**CHARGER #A8200 BEFORE SERIAL #VOCH-2999
REPLACED BY UNIVERSAL CHARGER #700.13500 ITEM 45**



**CONSTANT FORCE SPRING ASSEMBLY BEFORE SERIAL NUMBER #VOYA-3719.
USE RETROFIT KIT #700.00882 ITEM 35**



LIMIT SWITCH ASSEMBLY BEFORE SERIAL NUMBER #VOYA-1709.



Item #	Part #	Description	Qty	
1	000.00006	SCREW 2-56 X 5/8	4	
2	000.00022	LOCKNUT 2-56	4	
3	000.00605	TAP SCREW #6 X 3/8 PHILLIPS	1	
4	000.00635	TAP SCREW ST4.2 X 9.5 TORX	7	
5	000.00640	TAP SCREW ST4.2 X 19 TORX	1	
6	000.00872	RESSORT COMPRESSION 1/4 X 3/8 SS	1	
7	000.00846	RETAINING RING 9MM	2	
8	000.00873	SPRING 6.5 X 25MM	2	
9	000.00887	POP RIVET 1/8 x 3/8 GRIP	1	
10	000.00897	POP RIVET 3/16" 1/4-3/8 ALUMINIUM	1	
11	000.01048	BUSHING 3/8 FLANGE	1	
12	000.01083	BEARING THRUST 3/8 CLOSED	1	
13	000.02535	SPACER NYLON 5 X 5	1	
14	000.02600	SPRING PIN 5 X 26 ZINC	2	
15	000.02800	LOCKNUT M5 ZINC	5	
16	000.02905	FLAT WASHER M5 X 12OD X 1TH ZINC	1	
17	000.03095	SCREW M6 X 16 HEX ZINC	3	
18	000.03420	LOCKWASHER M6 ZINC	3	
19	000.08000	CARABINER	1	
20	P8030	PLASTIC PROTECTOR SLOT SSRS	1	
21	200.08002	KNOB PORTATIF INJECTE	2	
22	200.08035	CBLM PLATE	1	
23	M8046	CBLM WASHER	1	
24	200.08065	9MM SHAFT	2	
25	M8071	STRAP INLET	1	
26	M8086	SSRS KNOB	1	
27	M8101	EJECT BATTERY BLOCK	1	
28	200.08120	LIMIT SHAFT	1	
29	200.08520	STRAP ROLLER	1	
30	M8081U	SSRS BLOCK	1	
31	202.08000	FRAME	1	
32	203.08047	SPRING 7/8" X 2" X 0.035"	1	
*	33	460.00005	SWITCH DB2 TERMINAL 0.110	1
*	34	E8010	VOYAGER PORTABLE MAIN CIRCUIT BOARD	1
	35	700.00882	CONSTANT FORCE KIT	1
	36	A8020-VOYA	DRIVING SHAFT ASSY	1
	37	A8030	LIMIT SWITCH KIT	1
*	38	A8040	BATTERY SUPPORT	1
	39	A8051	DRUM ASSY WITH BLUE STRAP	1
*	39-1	A1360	BLUE STRAP FOR PORTABLE UNIT	-
	39-2	362.01365	BLACK STRAP FOR PORTABLE UNIT	-
	40	700.08170	CAB KIT FOR PORTABLE	1
	41	E0006	GEARMOTOR ONLY	1
	41-1	700.00006	GEARMOTOR WITH CONNECTOR	
*	42	A8500	BATTERY FOR PORTABLE	1
	43	700.13600	2 BUTTONS HANDSET	-
*	44	402.00001	CLASS 2 CHARGER POWER CORD (UL)	1
		402.00002	CLASS 2 CHARGER POWER CORD (JP)	-

	402.00003	CLASS 2 CHARGER POWER CORD (CE)	-	
	402.00004	CLASS 2 CHARGER POWER CORD (AU)	-	
	402.00005	CLASS 2 CHARGER POWER CORD (UK)	-	
*	45	700.13500	VOYAGER CHARGER (WITHOUT CORD)	1
	45-1	200.13500	CHARGER TOP	-
	45-2	492.00031-1	CHARGER CIRCUIT BOARD	-
	45-3	200.13510	CHARGER BOTTOM	-
	45-4	000.02490	PLASTITE 4.0 X 12	-
	45-5	001.13500	RUBBER LEG FOR CHARGER	-
	45-6	200.13520	CHARGER SLEEVE	-
	45-7	480.00001	FUSE GMC 1A 250V	-
	46	000.00990	FLAT WASHER 10 X 16 X 0.5TH	-
	47	E0202	LIMIT SWITCH E13-00M	-
	48	200.08110	LIMIT BLADE PROTECTOR	-
	49	200.08520	STRAP ROLLER ** REVISION #9 **	-
	50	E7525	CLASS 1 CHARGER POWER CORD (UL)	-
		E7529	CLASS 1 CHARGER POWER CORD (JP)	-
		E7521	CLASS 1 CHARGER POWER CORD (CE)	-
		E7528	CLASS 1 CHARGER POWER CORD (AU)	-
		E7527	CLASS 1 CHARGER POWER CORD (UK)	-
	51	C8FGMC0.5	FUSE GMC 0.5A (100VAC TO 120VAC)	-
		C8FGMC0.250	FUSE GMC 0.250A (220VAC TO 240VAC)	-

OTHER PARTS

*		001.08075	PORTABLE VOYAGER USER MANUAL
*	52	203.02505	EMERGENCY LOWERING 4MM ALLEN KEY
*		P8100	FOOD GRADE TYPE GREASE
*		000.00001	AMP PIN EXTRACTOR